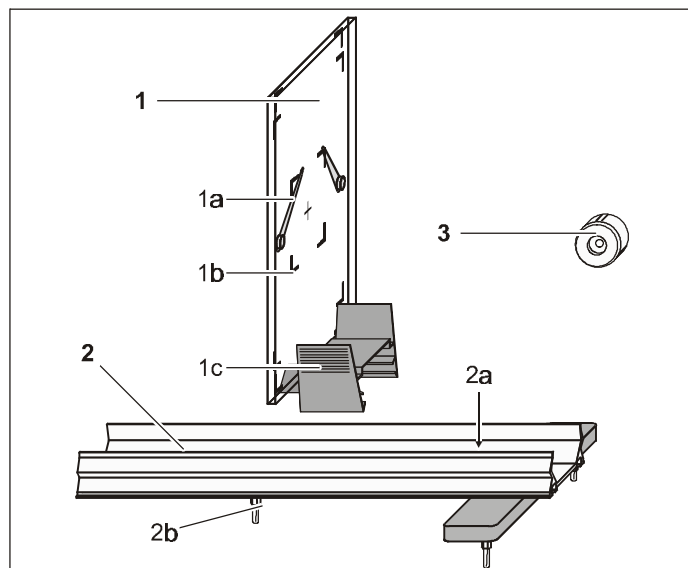


11/01-W97-Sel



## Instruction sheet 554 838

### Film Holder X-ray (554 838)

- 1 Film holder**  
clamp rider (1a), spring clip (1b), scale (1c)
- 2 Experiment rail**  
Millimeter scale (2a), 4-mm mounting plugs (2b)
- 3 Pinhole diaphragm**

## 1 Description

The film holder X-ray enables you to precisely position X-ray films in the experiment chamber of the X-ray apparatus (554 81) for transillumination, Laue and Debye-Scherrer experiments.

## 2 Scope of supply

- 1 Film holder
- 1 Experiment rail
- 1 Pinhole diaphragm

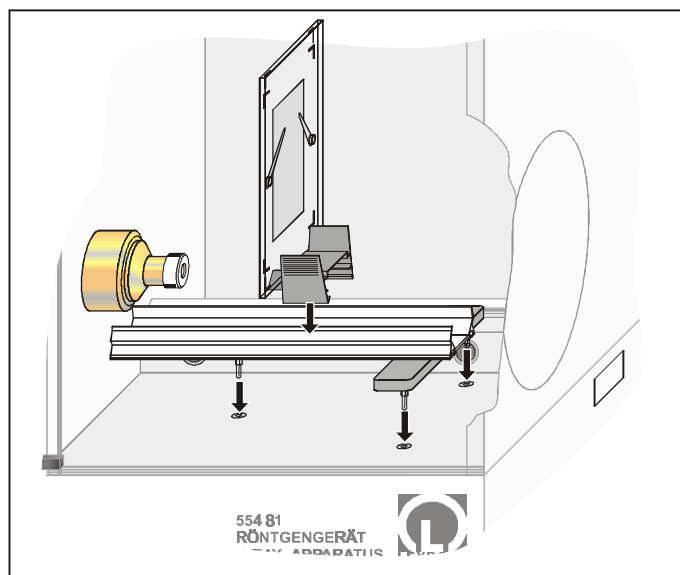
## 3 Dimensions

Film holder:	12 cm × 16.5 cm
Experiment rail:	25 cm × 16 cm × 6 cm
Diameter of pinhole diaphragm:	1 mm

## 4 Suitable X-ray films

X-ray film (554 895)	40 mm × 30 mm
or	
AGFA STRUCTURIX D7 with developer G 128 and fixer G 328	9 cm × 12 cm

## 5 Using the film holder



- Place the pinhole diaphragm on the collimator of the X-ray apparatus (554 81).
- Remove the goniometer (554 83) or the plate capacitor X-ray (554 838) if these are still mounted.
- Insert the mounting plugs of the experiment rail into the mounting sockets in the experiment chamber of the X-ray apparatus (554 81).
- Position the X-ray film on the film holder using the scale and use the spring clips to hold it in place.
- Clamp the film holder on the experiment rail at the desired distance from the pinhole diaphragm.