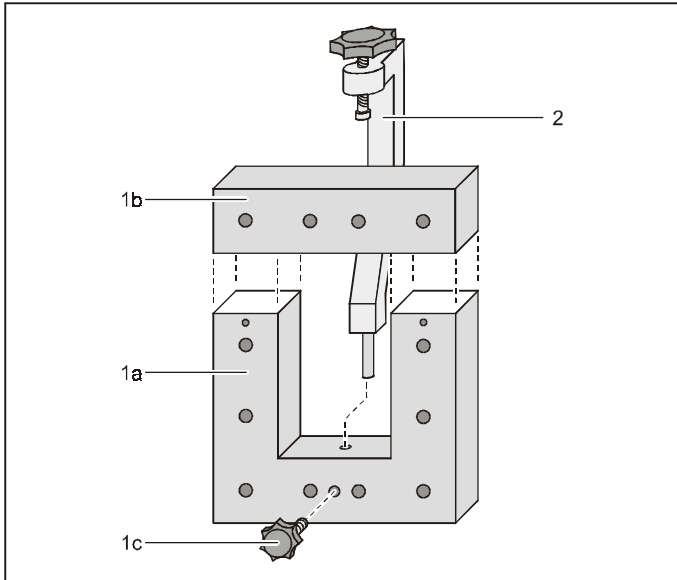


06/05-W97-Sel



Instruction sheet 562 11

U core with yoke (562 11)
 Clamping device (562 12)

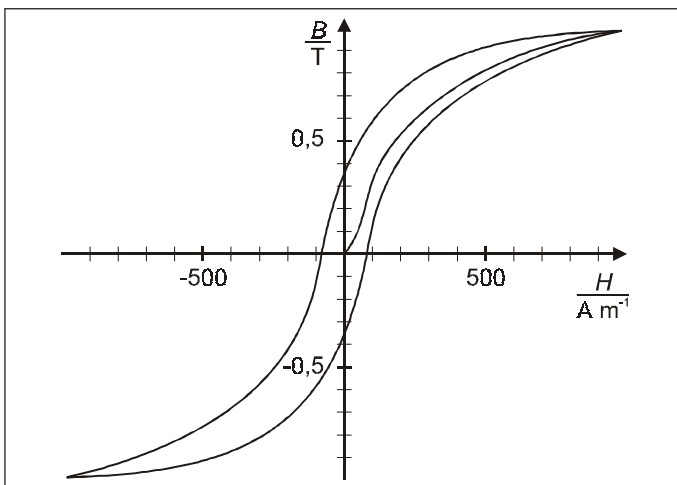
1 U core (1a) with yoke (1b), fixing bolt (1c)
2 Clamping device

1 Description

The U core with yoke (562 11) and the clamping device (562 12) are intended for the assembly of the demountable transformer with the coils indicated in chapter 3.

2 Technical data

Cross section:	4 cm × 4 cm
Width of U core and length of yoke:	15 cm
Height of U core:	13 cm
Material:	Iron, laminated
Max. relative permeability μ_r at the initial curve:	approx. 2200 at $H = 120 \text{ A m}^{-1}$



Hysteresis curve of the U core with yoke

3 Suitable coils

Low voltage coil $N = 250$	562 13
Low voltage coil $N = 480, I = 10 \text{ A}$	562 131
Low voltage coil $N = 500$	562 14
Low voltage coil $N = 1000$	562 15
High voltage coil $N = 10000$	562 16
High voltage coil $N = 23000$	562 17
Extra-low voltage coil $N = 50$	562 18
Mains coil 230 V	562 21
Mains coil 115 V	562 22

4 Use

- Mount primary and secondary coil.
- Put unpainted side of the yoke on the U core.
- Clamp yoke using the clamping device.

